

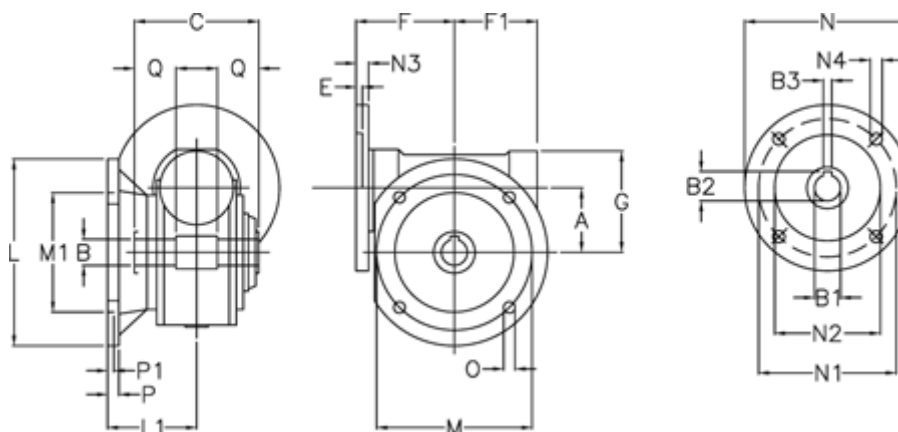
# Data Sheet



Article number: 3902185007560

Description: Worm gear  
VF 185-FC1-7-180B5, without lubrication

## Measures



|            |            |          |
|------------|------------|----------|
| A = 185.4  | F1 = 205   | N2 = 250 |
| B = 60 H7  | G = 267    | N3 = 18  |
| B1 E7 = 48 | L = 400    | N4 = 18  |
| B2 = 51.2  | L1 = 155.5 | O = 22   |
| B3 H9 = 14 | M = 350    | P = 22   |
| C = 190    | M1 = 280   | P1 = 13  |
| E = 4      | N = 350    | Q = 65   |
| F = 217    | N1 = 300   |          |